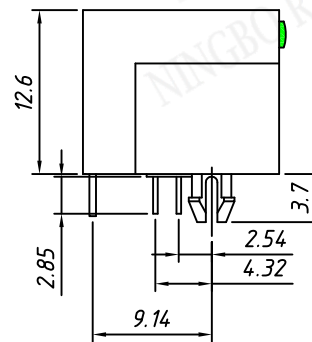


PCB Layout



Material:

Housing: PBT+Glass Filled Polyester

Flammability Rating : UL94V-0

Contacts: Phosphor Bronze $\phi 0.46\text{mm}$

Plating: Gold Plating

Electrical:

Voltage Rating: 125VAC

Current Rating: 1.5A

Contact Resistance: 30m Ω Max.

Insulation Resistance: 500M Ω Min.

Dielectric Strength: 1000VAC Rms
50Hz, 1 Min.

Durability: 600 cycles Min.

Operation Temperature: -40°C ~ +70°C

Order Information

RE - C - 315 - 8P8C - 1x4 - G/Y - XX

Contacts: 8P8C

LED Code: LEFT/RIGHT

G/Y - Green/Yellow

Y/G - Yellow/Green

Plating Code:

01-Fu" Gold Plating

02-3u" Gold Plating

03-6u" Gold Plating

04-15u" Gold Plating

05-30u" Gold Plating

RHTECP NINGBO RHT ELECTRONIC CO.,LTD

UNITS:mm

SHEET SIZE:A4

SCALE:---

RE - C - 315 - 8P8C - 1x4 - G/Y - XX

>0~3

>3~18

>18~50

>50~120

±0.12

±0.15

±0.3

±0.5

CONNECTORS